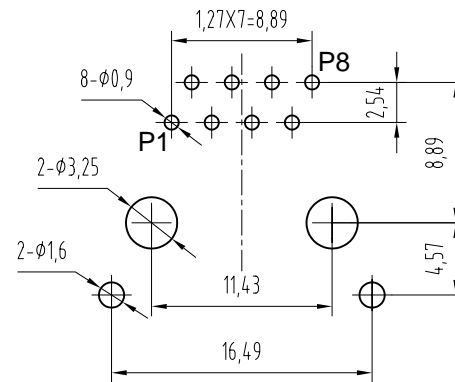
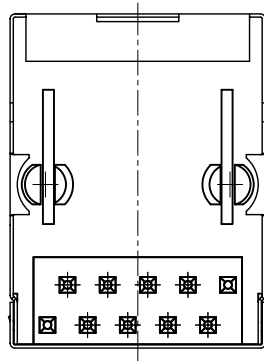
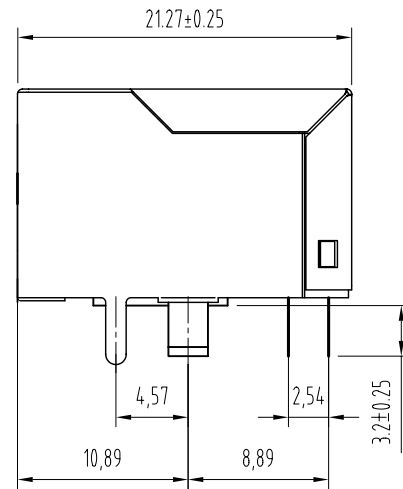
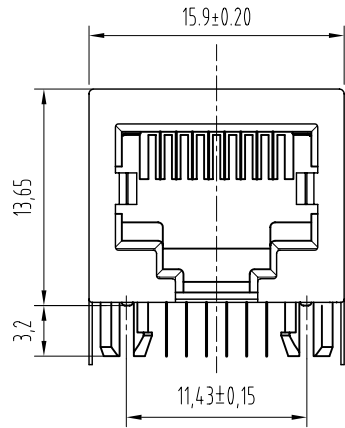


REVISION RECORD				
REV	ECO	DESCRIPTION	DRFT	CHKD



PC Board Layout  
Component Side Shown

NOTES:

MATERIAL :

- |                    |  |
|--------------------|--|
| 1.HOUSING MATERIAL | :GLASS FILLED POLYESTER UL94V-0.                   |
| 2.CONTACT MATERIAL | :PHOSPHOR BRONZE φ0.45mm.                          |
| 3.PLATING          | :GOLD PLATING OVER NICKEL.                         |
| 4.SHIELD           | :0.20mm THICKNESS COPPER ALLOY WITH NICKEL PLATED. |

ELECTRICAL:

- |                                      |                              |
|--------------------------------------|------------------------------|
| 1.VOLTAGE RATING                     | :125 VAC RMS.                |
| 2.CURRENT RATING                     | :1.5 AMP.                    |
| 3.CONTACT RESISTANCE                 | :30 MILLIOHMS MAX.           |
| 4.INSULATION RESISTANCE              | :500 MEGOHMS MIN @ 500V DC . |
| 5.DIELECTRIC WITHSTANDING RESISTANCE | :1000V AC RMS 50Hz. 1MIN.    |

MECHANICAL:

- |                            |                  |
|----------------------------|------------------|
| 1.DURRABILITY              | :750 CYCLES MIN. |
| 2.PCB RETENTION PRE-SOLDER | :1 LB MIN.       |

ENVIRONMENTAL:

- |              |                |
|--------------|----------------|
| 1. STORAGE   | : -40°C~+85°C  |
| 2. OPERATION | : 0°C TO 70°C. |

DETACHED LISTS MM (INCH) TOLERANCES EXCEPT AS NOTED MM .5 ± 0.15 * .00 ± 0.075 * .000 ± 0.05 * ANGLES ± 0.5 THIRD ANGLE PROJECTION	DFTD: SHB	DATE: 2007.05.03	<h1>Coorle 库乐科技</h1>	
	CHKD: LAMB	DATE: 2007.05.03		
	MFO:	DATE:		
	APPVL:	DATE:		
MATERIAL :		TITLE		
QTY :		59A 10P8C JACK W/ SHIELD		
FINISH :		DRAWING NO. TES9A1002	SIZE	REV
SCALE :		/PART NO.	A3	0
DO NOT SCALE DRAWING			SHEET X	OF Y